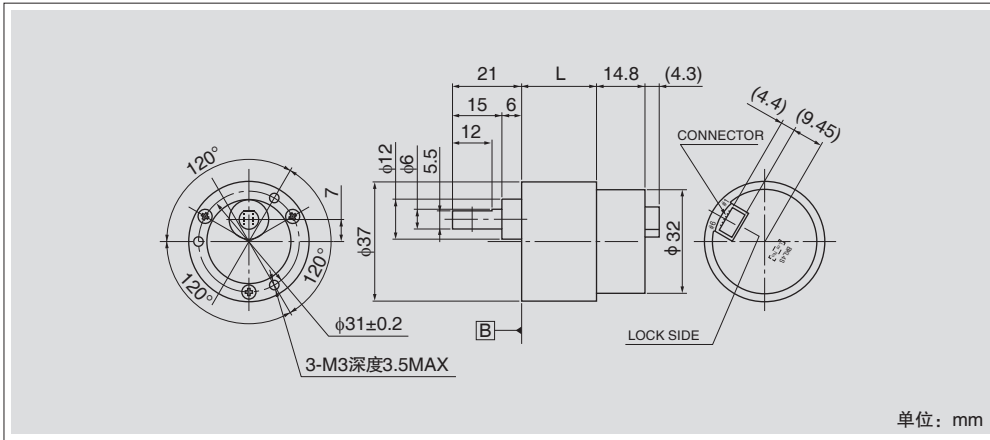


BKL4 带齿轮电机

外形尺寸(参考) Outside Dimension (Reference)

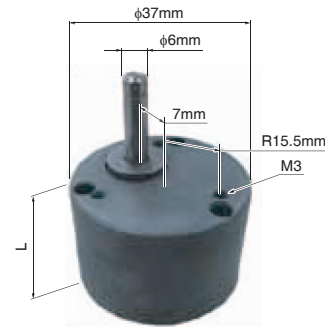


■ 该产品是对应客户需求的定制产品，详细规格及订货量请咨询本公司销售人员。
Please contact our sales for detail specification & order lot QTY. (All custom product by customer's requirement)

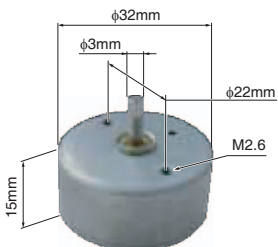
■ 3相外转子型DC无刷直流电机 /
3 Phase outer rotor type DC Brushless Motor

Gear Unit : ST-35 Type

Gear ratio	Rated Load Torque	Max Torque	Dimension L	Efficiency
	mN · m	mN · m	mm	%
1/10	89	245	20.5	86
1/25	196	490	23	80
1/30	196	490	23	80
1/60	294	735	25	75
1/75	294	735	25	75
1/100	294	735	25	75
1/120	294	735	25	75



BLDC motor : BKL3 Type



- Interface
 - Power Supply
 - GND
 - FG
 - BRK
 - PWM
 - CW / CCW switch
- Connection Connector / 端子

JST: BM06B-NSHSS-TBT

※可通过绕组调整 / Adjustable by winding

