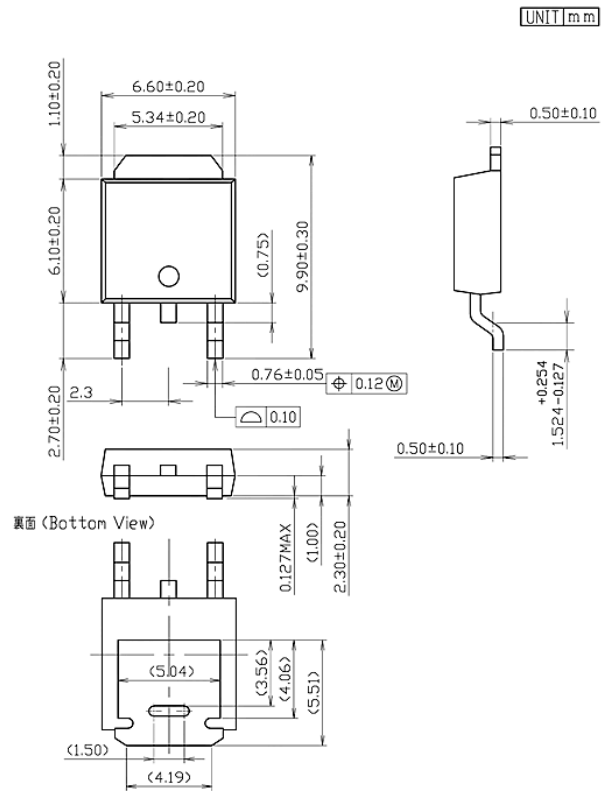


TO-252C

Dimensional Drawing



Recommended Land Pattern

