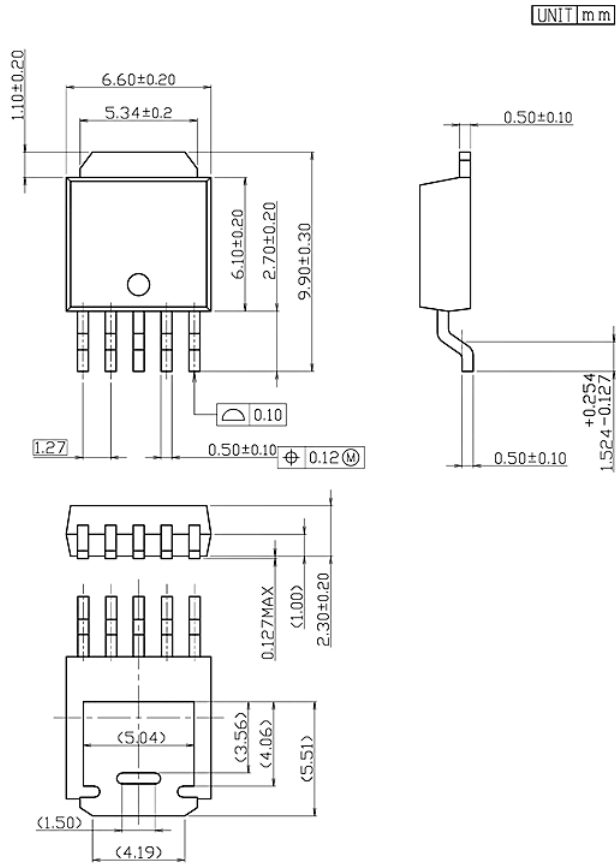


TO-252-5A

Dimensional Drawing



Recommended Land Pattern

