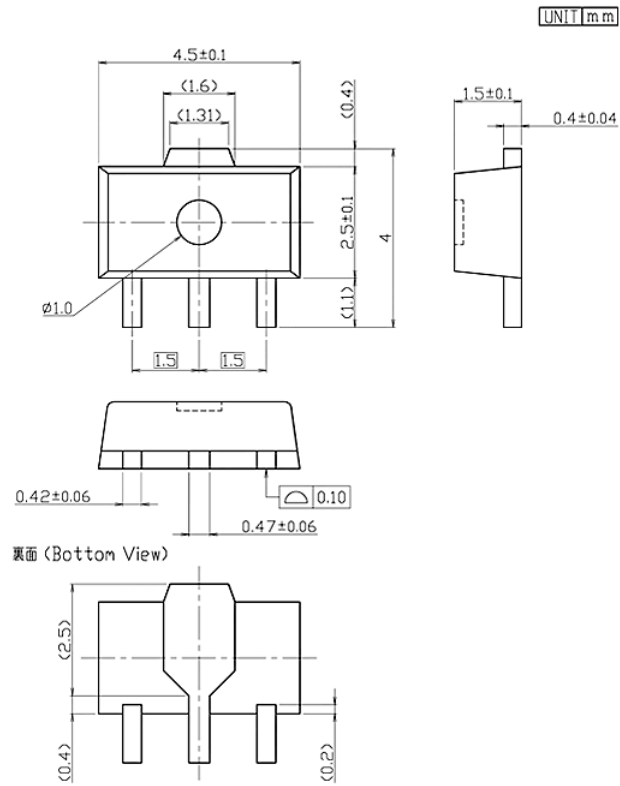


SOT89-3A

Dimensional Drawing



Recommended Land Pattern

