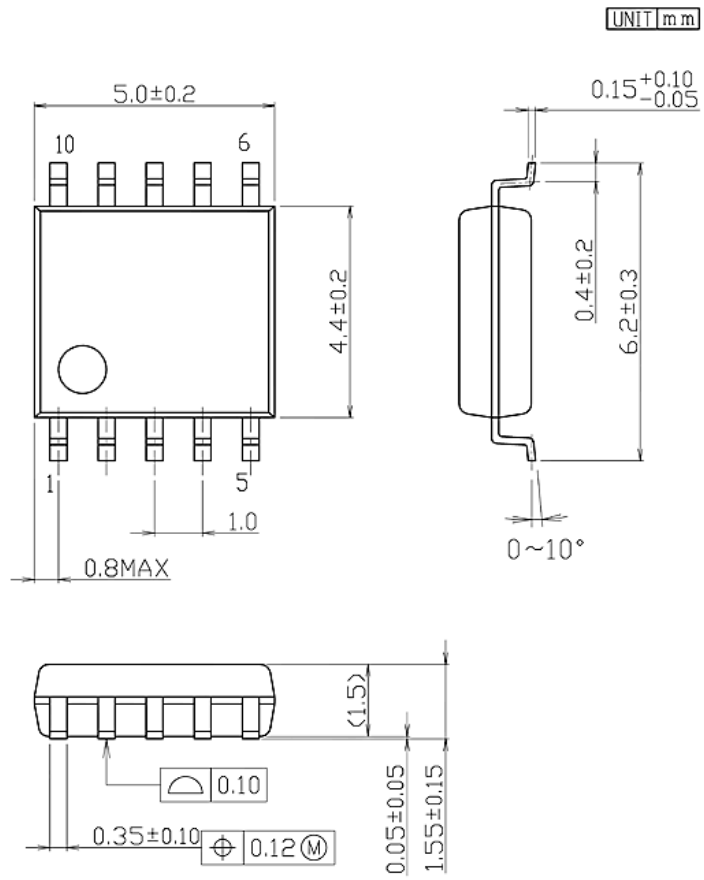


SOP-10A

Dimensional Drawing



Recommended Land Pattern

