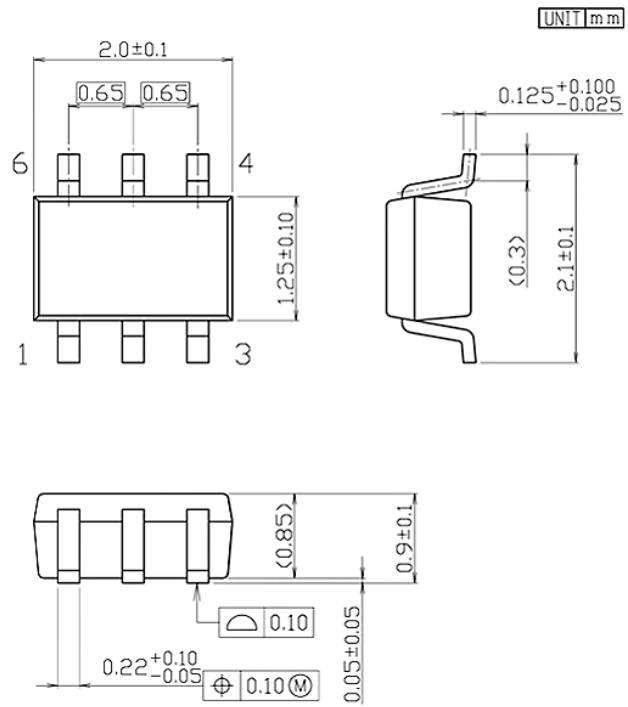


# SC-88A

## Dimensional Drawing



## Recommended Land Pattern

